

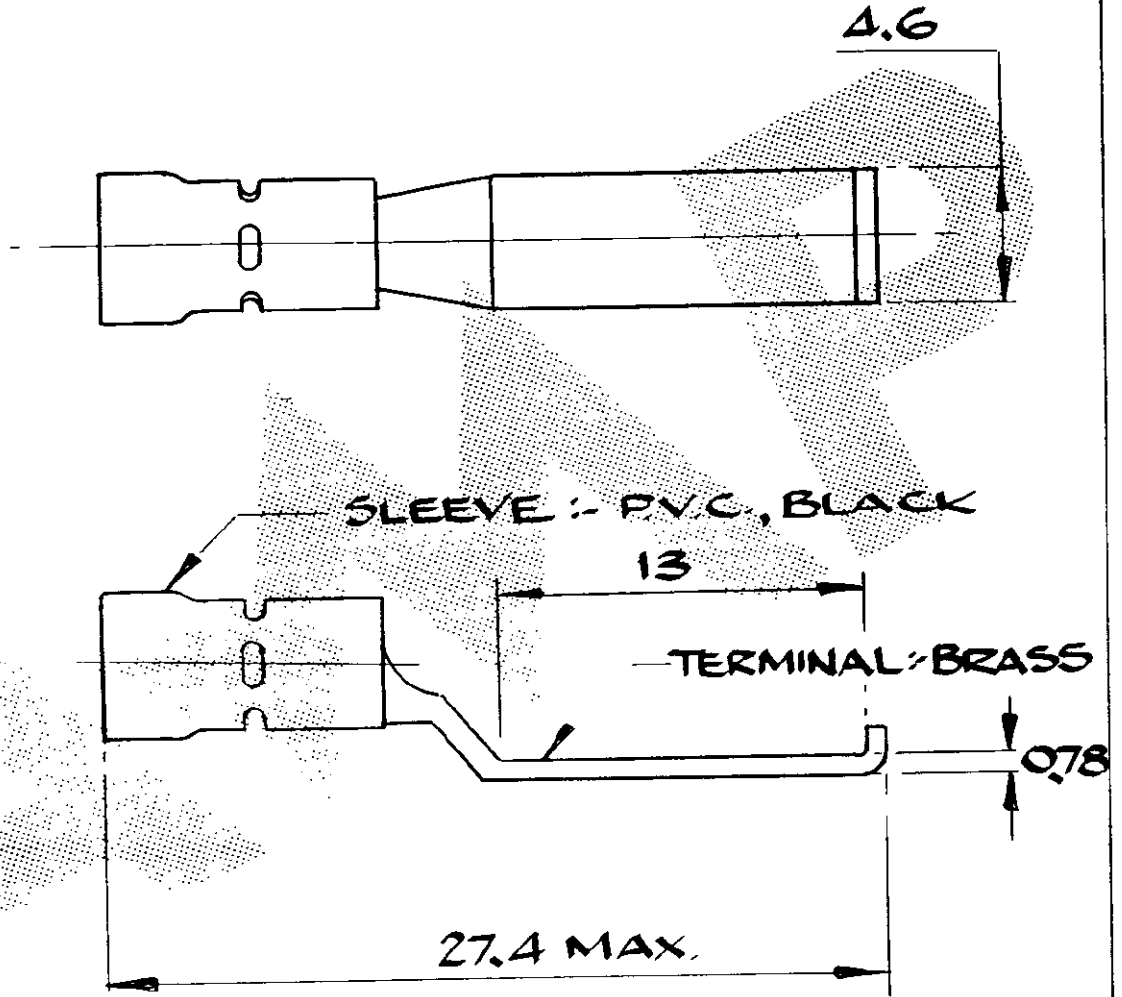
DO NOT SCALE

DIMENSIONS IN mm

METRIC



NUMBER
C151467



SEE ABOVE 151467-0

OTHER TREATMENT

FINISH

MATERIAL

PART NUMBER

CUSTOMER DWG
FOR REFERENCE ONLY

THIS DRAWING IS UNCLASSIFIED

RELEASED FOR PUBLICATION 24-4-99

COPYRIGHT 19 91 BY AMP OF GREAT BRITAIN LTD ALL INTERNATIONAL RIGHTS RESERVED. AMP PRODUCTS MAY BE COVERED BY BRITISH AND FOREIGN PATENTS AND/OR PATENTS PENDING.

TOLERANCES
UNLESS OTHERWISE
STATED -
DEC ± 0.5
ANGLES ± 1°

INS DIA RANGE

WIRE RANGE

SCALE

22-16

4:1

AMP TERMINAL HOUSE
of Great Britain Ltd STANMORE
MIDD.

D EB20-0428-96 RECEIVED

3.4.96

DR DR. TERRY

NAME LIPPED BLADE
TERMINAL ASSY.

C OBSOLETE
EB20-0507-95 DR T

3.12.95

CHK W. Wilson

A4 LOC DWG NO

SHEET

B REDRAWN RT 2449

DATE

APP

E

C151467

1 of 1

PRINT DIST

ISS REVISION RECORD

DR

DATE

APP